

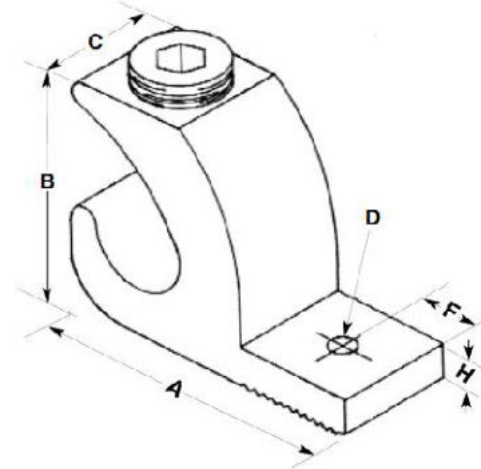
Lay-In Connectors

Drawn - SD

Approved - KM

Material - Aluminum

Title - Lay-In Connectors



Part Number	Wire Range	Material	A	B	C	D	F	H
GLA-4	4-14 AWG	Aluminum	1.07	0.75	0.38	0.218	0.19	0.15
GLA-0	1/0-8 AWG	Aluminum	1.50	1.10	0.60	0.272	0.30	0.22
GLA-000	3/0-6 AWG	Aluminum	2.00	1.50	0.80	0.330	0.40	0.30
GLA-250	250 MCM-6	Aluminum	2.20	1.70	0.80	0.330	0.40	0.30